

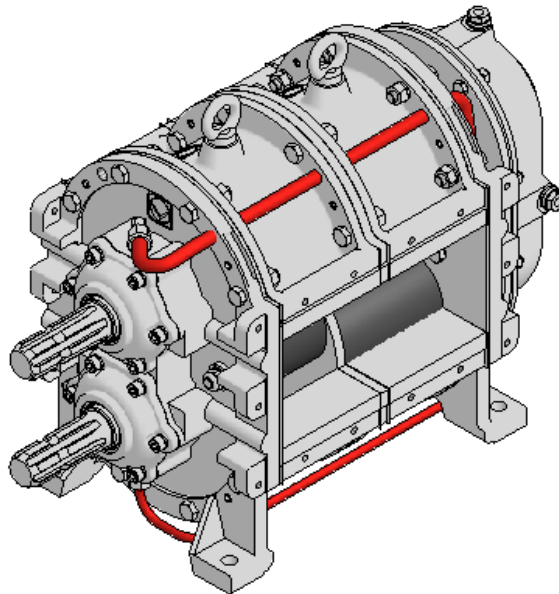


# Spare Parts List

Rotary Lobe Pump

FX116

ENGINEERED TO WORK



### **Issuer**

Hugo Vogelsang Maschinenbau GmbH  
Holthöge 10-14  
49632 Essen/Oldb.

Phone: +49 54 34 83 0  
Fax: +49 54 34 83 10

vogelsang-gmbh.com  
info@vogelsang-gmbh.com

In the absence of express, written authorisation from the issuer, the reproduction or partial reproduction of this document in any form is prohibited.

We reserve the right to make technical modifications to the diagrams and information presented in this document in the event that such modifications become necessary for the enhancement of the machine.

© 2015 Hugo Vogelsang Maschinenbau GmbH

### **Registered trademarks of Vogelsang**

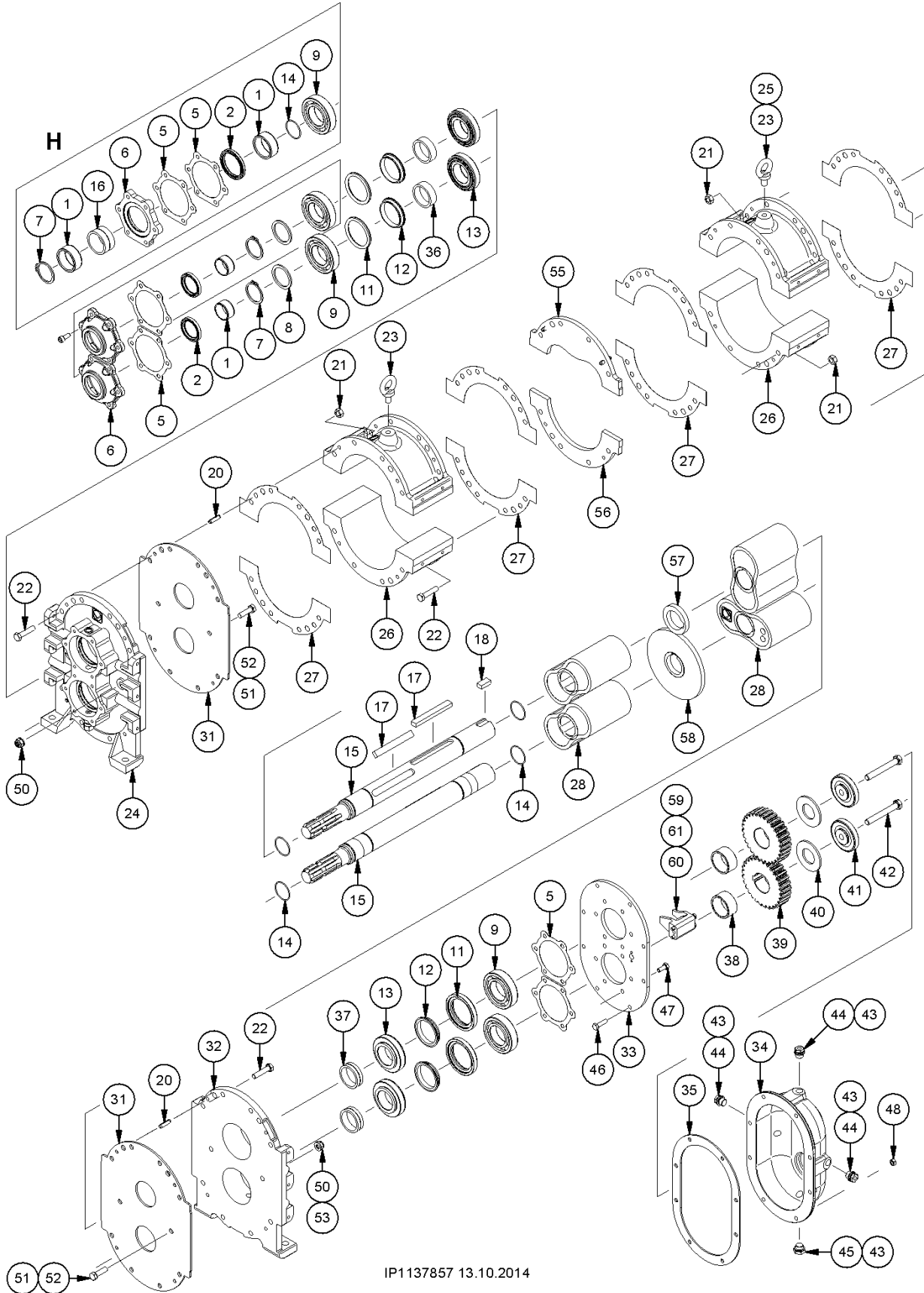
Vogelsang, Vogelsang Logo, RotaCut, HiFlo, ACC, CFC, BioCrack, XTill, EnergyJet and BioCut are registered trademarks of Hugo Vogelsang Maschinenbau GmbH.

The registered trademarks are not always designated with an ® symbol in this document.

**Contents**

**Exploded view** .....4  
**Cover and accessories** .....5  
    Position 1-6 .....5  
**Gasket** .....5  
    Position 7-14 .....5  
**PTO shaft** .....5  
    Position 15 .....5  
**Motor shaft**.....6  
    Position 15-16 .....6  
**Fitting key** .....6  
    Position 17-19 .....6  
**Bearing housing + accessories** .....6  
    Position 19-25 .....6  
**Pump housing segment**.....7  
    Pos. 26.....7  
**Gasket for pump housing segment** .....7  
    Position 27 .....7  
**Rotary lobes** .....7  
    Position 28 .....7  
**Bearing housing/ gear box housing/ wear plate**.....8  
    Position 31-35 .....8  
**Accessories** .....8  
    Position 36-40 .....8  
**Preload** .....8  
    Position 40-42 .....8  
**Bolts and accessories** .....8  
    Position 43-54 .....8  
**Separation plate + accessories**.....9  
    Pos. 55-58.....9  
**Material for connectors**.....9  
**Operating material** .....9  
**Oil line** .....10  
    Position 59-71 .....10  
**Required spare parts for rotary lobe change**.....11  
**Required spare parts for mechanical seal change**.....12  
**Required spare parts for wear part replacement**.....13

Exploded view



IP1137857 13.10.2014

H = Version with hollow shaft

**Cover and accessories**

**Position 1-6**

Pos.	Part number	Description	Dimensions	Note	Rep.	60	120	180	240	300	360
1	NIR.011	Inner ring	LR 35 x 40 x 20	For PTO shaft		2	2	2	2	2	2
				For motor shaft long		1	1	1	1	1	1
	NIR.010	Inner ring	LR 45 x 55 x 22	For hollow shaft		2	2	2	2	2	2
2	DWD.010	Radial shaft seal ring	WASY 40 x 55 x 7	For PTO shaft		2	2	2	2	2	2
				For motor shaft long		1	1	1	1	1	1
	DWD.023	Radial shaft seal ring	WASY 70 x 55 x 7	For hollow shaft		1	1	1	1	1	1
3	NSI.005	Cylinder head bolt	M 8 x 20	For PTO shaft/ for motor shaft long		12	12	12	12	12	12
	NSI.005	Cylinder head bolt	M 8 x 30	For hollow shaft							
5	DAD.009	Gasket		For PTO shaft		4	4	4	4	4	4
				For motor shaft long							
				For hollow shaft		6	6	6	6	6	6
6	PGP.030	Bearing cover open		PTO shaft		2	2	2	2	2	2
				Motor shaft long		1	1	1	1	1	1
	PGP.030.T1	Bearing cover open		Hollow shaft		1	1	1	1	1	1
	PGP.031	Bearing cover closed		Motor shaft short		1	1	1	1	1	1

**Gasket**

**Position 7-14**

Pos.	Part number	Description	Dimensions	Note	Rep.	60	120	180	240	300	360
7	NSR.002	Retaining ring	45 x 2,5	DIN 471		2	2	2	2	2	2
8	NUS.111	Support ring	45 x 56 x 3	For PTO shaft/ for motor shaft long		2	2	2	2	2	2
				For hollow shaft		-	-	-	-	-	-
9	NLG.006	Ball bearing	45 x 85 x 19			4	4	4	4	4	4
11	DOR.024.HNB	O-ring	58 x 7.5	HNBR		4	4	4	4	4	4
	DOR.024.VI	O-ring	58 x 7.5	FPM							
12	DGL.D003.N1	Mechanical seal ring				4	4	4	4	4	4
13	DGL0019	Block ring				4	4	4	4	4	4
14	DOR.008	O-ring	40 x 2; NBR	For PTO shaft/ For motor shaft long		4	4	4	4	4	4
	DOR.008.VI	O-ring	40 x 2; FPM								
	DOR.008	O-ring	40 x 2; NBR	For hollow shaft		5	5	5	5	5	5
	DOR.008.VI	O-ring	40 x 2; FPM								

**PTO shaft**

**Position 15**

Pos.	Part number	Description	Dimensions	Note	Rep.	60	120	180	240	300	360
15	PWN0010	PTO shaft	60 S			2	-	-	-	-	-
	PWN0009	PTO shaft	120 S			-	2	-	-	-	-
	PWN0006	PTO shaft	180 SB	Above		-	-	1	-	-	-
	PWN0005	PTO shaft	180 SA	Below		-	-	1	-	-	-
	PWN0002	PTO shaft	240 SB	Above		-	-	-	1	-	-
	PWN0001	PTO shaft	240 SA	Below		-	-	-	1	-	-
	PWN0004	PTO shaft	300 SB	Above		-	-	-	-	1	-
	PWN0003	PTO shaft	300 SA	Below		-	-	-	-	1	-
	PWN0008	PTO shaft	360 SB	Above		-	-	-	-	-	1
	PWN0007	PTO shaft	360 SA	Below		-	-	-	-	-	1

**Motor shaft**  
Position 15-16

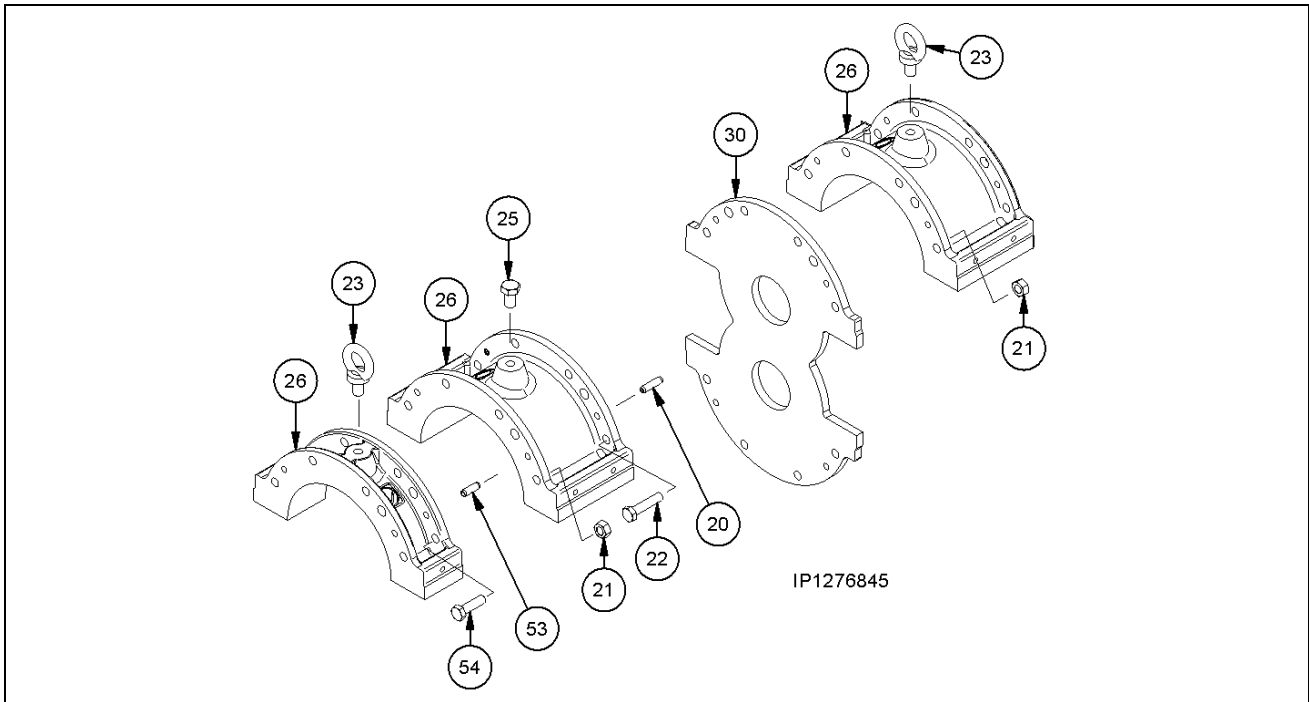
Pos.	Part number	Description	Dimensions	Note	Rep.	60	120	180	240	300	360
15	PWQ0101	Hollow shaft	60 MH			1	-	-	-	-	-
	PWQ0083	Motor shaft	60 ML	Long			-	-	-	-	-
	PWQ0102	Hollow shaft	120 MH			-	1	-	-	-	-
	PWQ0084	Motor shaft	120 ML	Long		-		-	-	-	-
	PWQ0103	Hollow shaft	180 MH			-	-	1	-	-	-
	PWQ0066	Motor shaft	180 ML	Long		-	-		-	-	-
	PWQ0104	Hollow shaft	240 MH			-	-	-	1	-	-
	PWQ0087	Motor shaft	240 ML	Long		-	-	-		-	-
	PWQ0105	Hollow shaft	300 MH			-	-	-	-	1	-
	PWQ0082	Motor shaft	300 ML	Long		-	-	-	-		-
	PWQ0106	Hollow shaft	360 MH			-	-	-	-	-	1
	PWQ0085	Motor shaft	360 ML	Long		-	-	-	-	-	
15	PWN0011	Motor shaft	60 MK	Short		1	-	-	-	-	-
	PWN0012	Motor shaft	120 MK	Short		-	1	-	-	-	-
	PWN0013	Motor shaft	180 MK	Short		-	-	1	-	-	-
	PWN0014	Motor shaft	240 MK	Short		-	-	-	1	-	-
	PWN0015	Motor shaft	300 MK	Short		-	-	-	-	1	-
	PWN0016	Motor shaft	360 MK	Short		-	-	-	-	-	1
16	PRS.036	Spacer washer		For hollow shaft		1	1	1	1	1	1

**Fitting key**  
Position 17-19

Pos.	Part number	Description	Dimensions	Note	Rep.	60	120	180	240	300	360
17	NPF.012	Fitting key	B 14 x 9 x 110			-	2	2	4	4	4
	NPF.011	Fitting key	B 14 x 9 x 56			-	-	-	-	2	4
	NPF.014	Fitting key	B 14 x 9 x 45			2	-	2	-	-	-
18	NPF.010	Fitting key	B 14 x 9 x 28			2	2	2	2	2	-

**Bearing housing + accessories**  
Position 19-25

Pos.	Part number	Description	Dimensions	Note	Rep.	60	120	180	240	300	360
20	NSP.001	Spring pin	8 x 30			8	8	12	12	12	12
21	NMS.003	Hexagon nut	M 10			16	16	24	24	32	40
22	NSK.004	Hexagon head bolt	M 10 x 45			16	16	24	24	24	24
23	NKS.006	Lifting eye bolt	M 12			1	1	2	2	2	2
24	PGP.062	Bearing housing				1	1	1	1	1	1
25	NSK.041	Hexagon head bolt	M 12 x 20	DIN 933		1	1	2	2	4	6



**Pump housing segment**

Pos. 26

Pos.	Part number	Description	Dimensions	Note	Rep.	60	120	180	240	300	360
26	PGP.027	Pump housing segment	60			2	-	2	-	2	4
	PGP.028	Pump housing segment	120			-	2	2	4	4	4

**Gasket for pump housing segment**

Position 27

Pos.	Part number	Description	Dimensions	Note	Rep.	60	120	180	240	300	360
27	DAD.010	Gasket		Pump housing segment		4	4	8	8	10	12

**Rotary lobes**

Position 28

Pos.	Part number	Description	Dimensions	Note	Rep.	60	120	180	240	300	360
28	PKA.003	Rotary lobe	60	SBR		2	-	2	-	2	4
	PKA.012	Rotary lobe	120	SBR		-	2	2	4	4	4
	PKA.005	Rotary lobe	60	NBR		2	-	2	-	2	4
	PKA.014	Rotary lobe	120	NBR		-	2	2	4	4	4
	PKA.039	Rotary lobe	60	EPDM-SL		2	-	2	-	2	4
	PKA.038	Rotary lobe	120	EPDM-SL		-	2	2	4	4	4
	PKA.009	Rotary lobe	60	FPM		2	-	2	-	2	4
	PKA.017	Rotary lobe	120	FPM		-	2	2	4	4	4
	PKA.010	Rotary lobe	60	Werobust		2	-	2	-	2	4
	PKA.018	Rotary lobe	120	Werobust		-	2	2	4	4	4

**Bearing housing/ gear box housing/ wear plate**

**Position 31-35**

Pos.	Part number	Description	Dimensions	Note	Rep.	60	120	180	240	300	360
31	PSP.001	Wear plate				2	2	2	2	2	2
	PSP.001.E	Wear plate		Stainless steel							
32	PGP.061	Bearing housing				1	1	1	1	1	1
33	PFL.040	Flange plate				1	1	1	1	1	1
34	PGP.056	Gearbox housing				1	1	1	1	1	1
35	DAD.011	Gasket		Cork		1	1	1	1	1	1

**Accessories**

**Position 36-40**

Pos.	Part number	Description	Dimensions	Note	Rep.	60	120	180	240	300	360
36	PRS0339	Distance ring		Drive		2	2	2	2	2	2
37	PRS0340	Distance ring		Gearbox		2	2	2	2	2	2
38	PRS.009	Distance sleeve				2	2	2	2	2	2
39	PZN.001	Gear				2	2	2	2	2	2

**Preload**

**Position 40-42**

Pos.	Part number	Description	Dimensions	Note	Rep.	60	120	180	240	300	360
40	NTF.002	Spring washer	100 x 51 x 6			2	2	2	2	2	2
41	PRS0338	Pressure disk				2	2	2	2	2	2
42	NSK0063	Hexagon head bolt	M 12 x 90	DIN 931		2	2	2	2	2	2

**Bolts and accessories**

**Position 43-54**

Pos.	Part number	Description	Dimensions	Note	Rep.	60	120	180	240	300	360
43	DKR.005	Copper ring	C 16 x 22 x 2	DIN 7603		4	4	4	4	4	4
44	NSK.081	Screw plug	M 16 x 1.5	DIN 910		3	3	3	3	3	3
45	NSK.088	Screw plug	M 16	Magnetic		1	1	1	1	1	1
46	NSK.020	Hexagon head bolt	M 8 x 30	DIN 933		8	8	8	8	8	8
47	NSK.075	Hexagon head bolt	M 8 x 20	DIN 933		12	12	12	12	12	12
48	NMS.002	Hexagon nut	M 8	DIN 934-8		8	8	8	8	8	8
50	NMK.001	Hexagon nut	M 10	DIN 985; self-locking		4	4	4	4	4	4
51	DKR.001	Copper ring	C 10 x 16 x 1			4	4	4	4	4	4
52	NSK.002.EE	Hexagon head bolt	M 10 x 35	DIN 933		4	4	4	4	4	4
53	NSP.025	Spring pin	8 x 24			-	-	-	-	4	8
54	NSK.002	Hexagon head bolt	M 10 x 35			-	-	-	-	8	16



**Separation plate + accessories**

Pos. 55-58

Pos.	Part number	Description	Dimensions	Note	Rep.	60	120	180	240	300	360
55	PFL.614	Separation plate		Outside; top		-	-	1	1	1	1
56	PFL.615	Separation plate		Outside; bottom		-	-	1	1	1	1
57	PFL.619	Separation plate		Inside; top		-	-	1	1	1	1
58	PFL0098	Separation plate		Inside; bottom		-	-	1	1	1	1

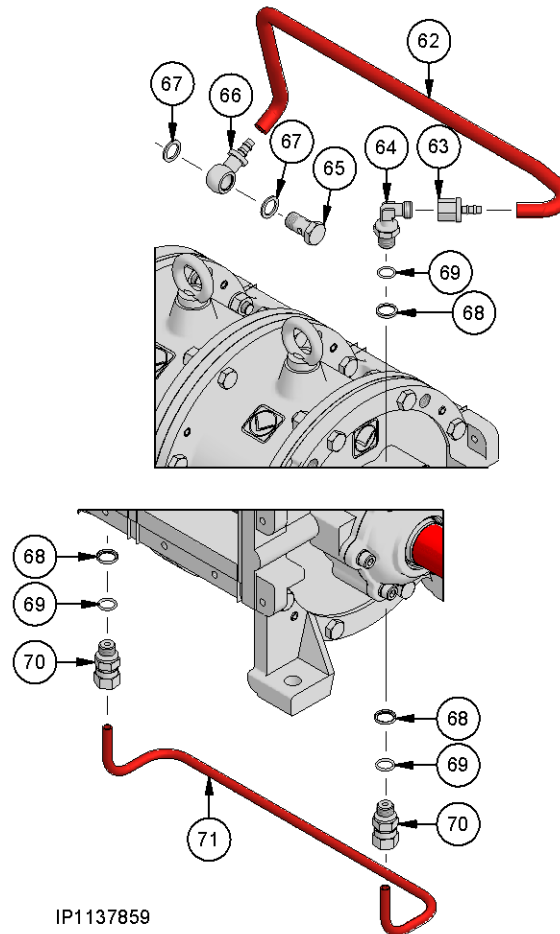
**Material for connectors**

Pos.	Part number	Description	Dimensions	Note	Rep.	60	120	180	240	300	360
	NSK.019	Hexagon head bolt	M 8 x 25	DIN 933		16	20	24	28	32	36
	NUS.003	Washer	A 8.4 x 16 x 1.6	DIN 125		16	20	24	28	32	36
	DFD.001	Gasket	R116-60			2	-	-	-	-	-
	DFD.002	Gasket	R116-120			-	2	-	-	-	-
	DFD.003	Gasket	R116-180			-	-	2	-	-	-
	DFD.004	Gasket	R116-240			-	-	-	2	-	-
	DFD.028	Gasket	R116-300			-	-	-	-	2	-
	DFD.040	Gasket	R116-360			-	-	-	-	-	2
	PFL.001	Flange	R116-60			2	-	-	-	-	-
	PFL.002	Flange	R116-120			-	2	-	-	-	-
	PFL.003	Flange	R116-180			-	-	2	-	-	-
	PFL.004	Flange	R116-240			-	-	-	2	-	-
	PFL.011	Flange	R116-300			-	-	-	-	2	-
	PFL.098	Flange	R116-360			-	-	-	-	-	2

**Operating material**

Pos.	Part number	Description	Dimensions	Note	Rep.	60	120	180	240	300	360
	DDM.004	Curil sealing material		For asbestos-free gaskets					x		
	BKL.013	WEICONLOCK gasketing	AN305-74	For bearing housings					x		
	BSS.008	Grease	Renolit CP	For bearing					x		
	BSS.006	Mineral oil		Titan Gear MP 90					x		

**Oil line**  
**Position 59-71**



IP1137859

Pos.	Part number	Description	Dimensions	Note	Rep.	60	120	180	240	300	360
59	NUS.002	Washer	A 6.4 x 12 x 1.6	DIN 125		2	2	2	2	2	2
60	PGP.073	Oil pump				1	1	1	1	1	1
61	NSK.089	Hexagon head bolt	M 6 x 65	DIN 931		2	2	2	2	2	2
62	HSC0048 <sup>(5)</sup>	Plug-in hose	DN 6			400 mm	460 mm	520 mm	580 mm	640 mm	700 mm
63	NVR.003	Seal bonnet				1	1	1	1	1	1
64	NWE.001	Elbow joint	M 14 x 1.5			1	1	1	1	1	1
65	NVR.002	Hollow screw	M 14 x 1.5	DIN 7643		1	1	1	1	1	1
66	NVR.001	Ring connector	DN 6			1	1	1	1	1	1
67	DKR.006	Sealing ring	A 14 x 20 x 1.5			2	2	2	2	2	2
68	NDR.001	Support ring	14 x 18 x 2.5			3	3	3	3	3	3
69	DOR.040	O-ring	12 x 2			3	3	3	3	3	3
70	NGE.001	Screw connection	M 14 x 1.5			2	2	2	2	2	2
71	PVL.012	Connecting pipe	60			1	-	-	-	-	-
	PVL.009	Connecting pipe	120			-	1	-	-	-	-
	PVL.013	Connecting pipe	180			-	-	1	-	-	-
	PVL.014	Connecting pipe	240			-	-	-	1	-	-
	PVL.015	Connecting pipe	300			-	-	-	-	1	-
	PVL0004	Connecting pipe	360			-	-	-	-	-	1

<sup>(5)</sup> Please specify length when spare parts order!

**Required spare parts for rotary lobe change**

Pos.	Part number	Description	Dimensions	Note	Rep.	60	120	180	240	300	360
5	DAD.009	Gasket		For PTO shaft		4	4	4	4	4	4
				For motor shaft long							
				For hollow shaft		6	6	6	6	6	6
14	DOR.008	O-ring	40 x 2; NBR	For PTO shaft/ For motor shaft long		4	4	4	4	4	4
	DOR.008.VI	O-ring	40 x 2; FPM								
	DOR.008	O-ring	40 x 2; NBR	For hollow shaft		5	5	5	5	5	5
	DOR.008.VI	O-ring	40 x 2; FPM								
17	NPF.012	Fitting key	B 14 x 9 x 110			-	2	2	4	4	4
	NPF.011	Fitting key	B 14 x 9 x 56			-	-	-	-	2	4
	NPF.014	Fitting key	B 14 x 9 x 45			2	-	2	-	-	-
18	NPF.010	Fitting key	B 14 x 9 x 28			2	2	2	2	2	-
27	DAD.010	Gasket		Pump housing segment		4	4	8	8	10	12
28	PKA.003	Rotary lobe	60	SBR		2	-	2	-	2	4
	PKA.012	Rotary lobe	120	SBR		-	2	2	4	4	4
	PKA.005	Rotary lobe	60	NBR		2	-	2	-	2	4
	PKA.014	Rotary lobe	120	NBR		-	2	2	4	4	4
	PKA.039	Rotary lobe	60	EPDM-SL		2	-	2	-	2	4
	PKA.038	Rotary lobe	120	EPDM-SL		-	2	2	4	4	4
	PKA.009	Rotary lobe	60	FPM		2	-	2	-	2	4
	PKA.017	Rotary lobe	120	FPM		-	2	2	4	4	4
	PKA.010	Rotary lobe	60	Werobust		2	-	2	-	2	4
PKA.018	Rotary lobe	120	Werobust		-	2	2	4	4	4	
35	DAD.011	Gasket		Cork		1	1	1	1	1	1
42	NSK0063	Hexagon head bolt	M 12 x 90	DIN 931		2	2	2	2	2	2
43	DKR.005	Copper ring	C 16 x 22 x 2	DIN 7603		4	4	4	4	4	4

**Required spare parts for mechanical seal change**

Pos.	Part number	Description	Dimensions	Note	Rep.	60	120	180	240	300	360
1	NIR.011	Inner ring	LR 35 x 40 x 20	For PTO shaft		2	2	2	2	2	2
	For motor shaft long				1	1	1	1	1	1	1
	NIR.010	Inner ring	LR 45 x 55 x 22	For hollow shaft		2	2	2	2	2	2
2	DWD.010	Radial shaft seal ring	WASY 40 x 55 x 7	For PTO shaft		2	2	2	2	2	2
				For motor shaft long		1	1	1	1	1	1
	DWD.023	Radial shaft seal ring	WASY 70 x 55 x 7	For hollow shaft		1	1	1	1	1	1
5	DAD.009	Gasket		For PTO shaft		4	4	4	4	4	4
				For motor shaft long		4	4	4	4	4	4
				For hollow shaft		6	6	6	6	6	6
9	NLG.006	Ball bearing	45 x 85 x 19			4	4	4	4	4	4
11	DOR.024.HNB	O-ring	58 x 7.5	HNBR		4	4	4	4	4	4
	DOR.024.VI	O-ring	58 x 7.5	FPM							
12	DGL.D003.N1	Mechanical seal ring				4	4	4	4	4	4
13	DGL0019	Block ring				4	4	4	4	4	4
14	DOR.008	O-ring	40 x 2; NBR	For PTO shaft/ For motor shaft long		4	4	4	4	4	4
	DOR.008.VI	O-ring	40 x 2; FPM								
	DOR.008	O-ring	40 x 2; NBR	For hollow shaft		5	5	5	5	5	5
	DOR.008.VI	O-ring	40 x 2; FPM								
27	DAD.010	Gasket		Pump housing segment		4	4	8	8	10	12
35	DAD.011	Gasket		Cork		1	1	1	1	1	1
42	NSK0063	Hexagon head bolt	M 12 x 90	DIN 931		2	2	2	2	2	2
43	DKR.005	Copper ring	C 16 x 22 x 2	DIN 7603		4	4	4	4	4	4

**Required spare parts for wear part replacement**

Pos.	Part number	Description	Dimensions	Note	Rep.	60	120	180	240	300	360
1	NIR.011	Inner ring	LR 35 x 40 x 20	For PTO shaft		2	2	2	2	2	2
				For motor shaft long		1	1	1	1	1	1
	NIR.010	Inner ring	LR 45 x 55 x 22	For hollow shaft		2	2	2	2	2	2
2	DWD.010	Radial shaft seal ring	WASY 40 x 55 x 7	For PTO shaft		2	2	2	2	2	2
				For motor shaft long		1	1	1	1	1	1
	DWD.023	Radial shaft seal ring	WASY 70 x 55 x 7	For hollow shaft		1	1	1	1	1	1
5	DAD.009	Gasket		For PTO shaft		4	4	4	4	4	4
				For motor shaft long		6	6	6	6	6	6
				For hollow shaft		6	6	6	6	6	6
9	NLG.006	Ball bearing	45 x 85 x 19			4	4	4	4	4	4
11	DOR.024.HNB	O-ring	58 x 7.5	HNBR		4	4	4	4	4	4
	DOR.024.VI	O-ring	58 x 7.5	FPM		4	4	4	4	4	4
12	DGL.D003.N1	Mechanical seal ring				4	4	4	4	4	4
13	DGL0019	Block ring				4	4	4	4	4	4
14	DOR.008	O-ring	40 x 2; NBR	For PTO shaft/ For motor shaft long		4	4	4	4	4	4
						4	4	4	4	4	4
	DOR.008.VI	O-ring	40 x 2; FPM	For hollow shaft		5	5	5	5	5	5
						5	5	5	5	5	5
16	PRS.036	Spacer washer		For hollow shaft		1	1	1	1	1	1
17	NPF.012	Fitting key	B 14 x 9 x 110			-	2	2	4	4	4
	NPF.011	Fitting key	B 14 x 9 x 56			-	-	-	-	2	4
	NPF.014	Fitting key	B 14 x 9 x 45			2	-	2	-	-	-
18	NPF.010	Fitting key	B 14 x 9 x 28			2	2	2	2	2	-
27	DAD.010	Gasket		Pump housing segment		4	4	8	8	10	12
28	PKA.003	Rotary lobe	60	SBR		2	-	2	-	2	4
	PKA.012	Rotary lobe	120	SBR		-	2	2	4	4	4
	PKA.005	Rotary lobe	60	NBR		2	-	2	-	2	4
	PKA.014	Rotary lobe	120	NBR		-	2	2	4	4	4
	PKA.039	Rotary lobe	60	EPDM-SL		2	-	2	-	2	4
	PKA.038	Rotary lobe	120	EPDM-SL		-	2	2	4	4	4
	PKA.009	Rotary lobe	60	FPM		2	-	2	-	2	4
	PKA.017	Rotary lobe	120	FPM		-	2	2	4	4	4
	PKA.010	Rotary lobe	60	Werobust		2	-	2	-	2	4
	PKA.018	Rotary lobe	120	Werobust		-	2	2	4	4	4
31	PSP.001	Wear plate				2	2	2	2	2	2
	PSP.001.E	Wear plate		Stainless steel		2	2	2	2	2	2
35	DAD.011	Gasket		Cork		1	1	1	1	1	1
42	NSK0063	Hexagon head bolt	M 12 x 90	DIN 931		2	2	2	2	2	2
43	DKR.005	Copper ring	C 16 x 22 x 2	DIN 7603		4	4	4	4	4	4
50	NMK.001	Hexagon nut	M 10	DIN 985; self-locking		4	4	4	4	4	4
51	DKR.001	Copper ring	C 10 x 16 x 1			4	4	4	4	4	4
52	NSK.002.EE	Hexagon head bolt	M 10 x 35	DIN 933		4	4	4	4	4	4
55	PFL.614	Separation plate		Outside; top		-	-	1	1	1	1
57	PFL.619	Separation plate		Inside; top		-	-	1	1	1	1
58	PFL0098	Separation plate		Inside; bottom		-	-	1	1	1	1

**VOGELSANG**



**Hugo Vogelsang Maschinenbau GmbH**

Holthöge 10-14  
49632 Essen/Oldb.

Phone: +49 (0) 54 34 83 0  
Fax: +49 (0) 54 34 83 10

vogelsang-gmbh.com  
info@vogelsang-gmbh.com

**ENGINEERED TO WORK**

**Australien**  
**Vogelsang Pty. Ltd.**  
vogelsang.com.au

**Indien**  
**Vogelsang India Private Limited**  
vogelsangindia.com

**Russland**  
**Vogelsang Russland**  
vogelsang.ru

**Brasilien**  
**Vogelsang Brasil Ltda.**  
vogelsang.com.br

**Irland**  
**Vogelsang Irland**  
vogelsang.ie

**Schweden**  
**Vogelsang Sverige AB**  
vogelsang.se

**China**  
**Vogelsang Mechanical Engineering (Shanghai) Co., Ltd.**  
vogelsang.com.cn

**Italien**  
**Vogelsang Italy Srl**  
vogelsang-srl.it

**Spanien**  
**Vogelsang S.L.**  
vogelsang.es

**Dänemark**  
**Vogelsang A/S**  
vogelsang-as.dk

**Malaysia**  
**Vogelsang Malaysia**  
vogelsang.info

**Südkorea**  
**Vogelsang Korea Co., Ltd.**  
vogelsang.co.kr

**Deutschland - Niederlassung Ost**  
**Vogelsang Lutherstadt Eisleben**  
vogelsang-gmbh.com

**Mexico**  
**Vogelsang De México S.de R.L. de CV**  
vogelsang.mx

**Tschechische Republik**  
**Vogelsang CZ s.r.o.**  
vogelsang-czech.cz

**Finnland**  
**Vogelsang Oy**  
vogelsang.fi

**Polen**  
**Vogelsang Poland Sp. z o.o.**  
vogelsang.pl

**USA**  
**Vogelsang USA Ltd.**  
vogelsangusa.com

**Frankreich**  
**Vogelsang France S.A.R.L.**  
vogelsang.fr

**Österreich**  
**Vogelsang Austria GmbH**  
vogelsang-austria.at

**Großbritannien**  
**Vogelsang Ltd.**  
vogelsang.co.uk

**Rumänien**  
**Vogelsang Romania SRL**  
vogelsang.ro