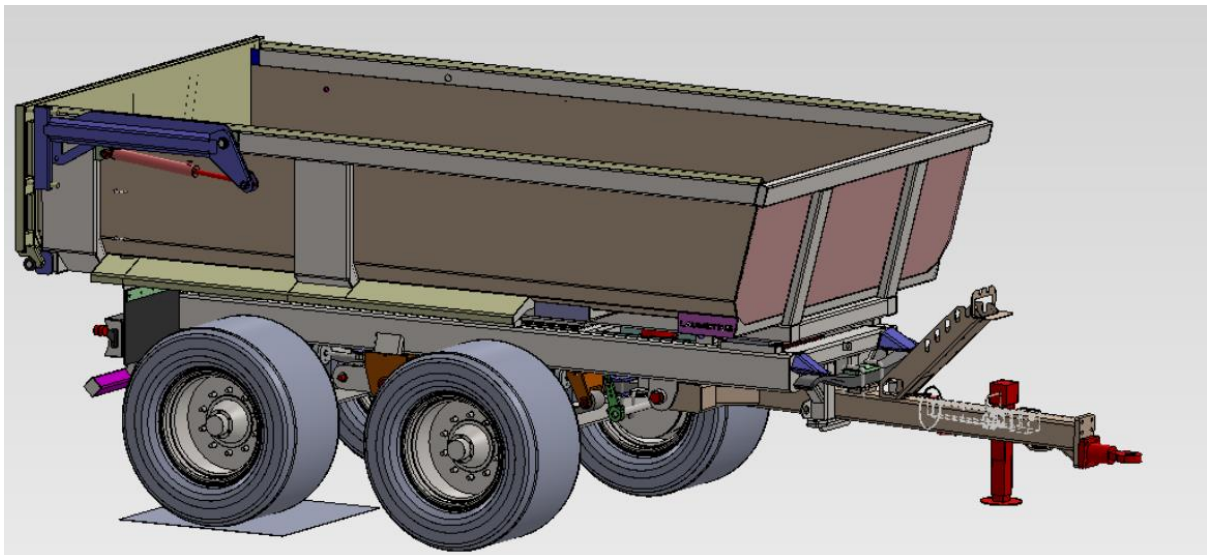


UAB „LAUMETRIS“
Technikos str. 5, Keleriškiai village, Kėdainiai dist.,
57342 Lithuania
Tel.: +370-347 42390
info@laumetris.lt
www.laumetris.lt

Tractor Semi-trailer PTL-12s Spare Parts Catalog



Happy to become an agricultural machinery supplier of Yours!

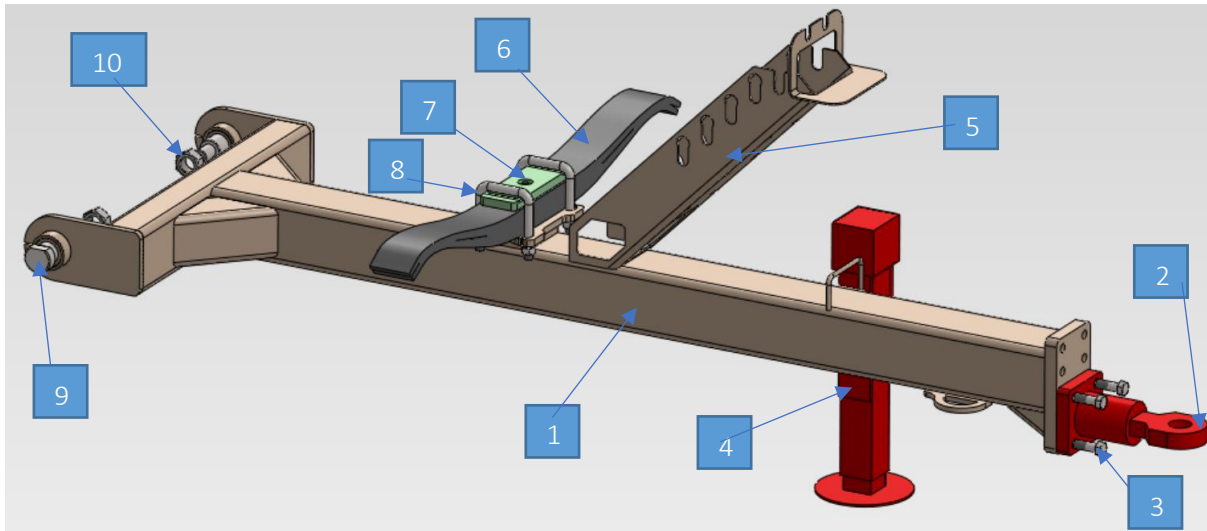
Willingly, efficiency of Laumetris machinery will vastly increase Your overall results.

Kind regards,
Laumetris

Contents

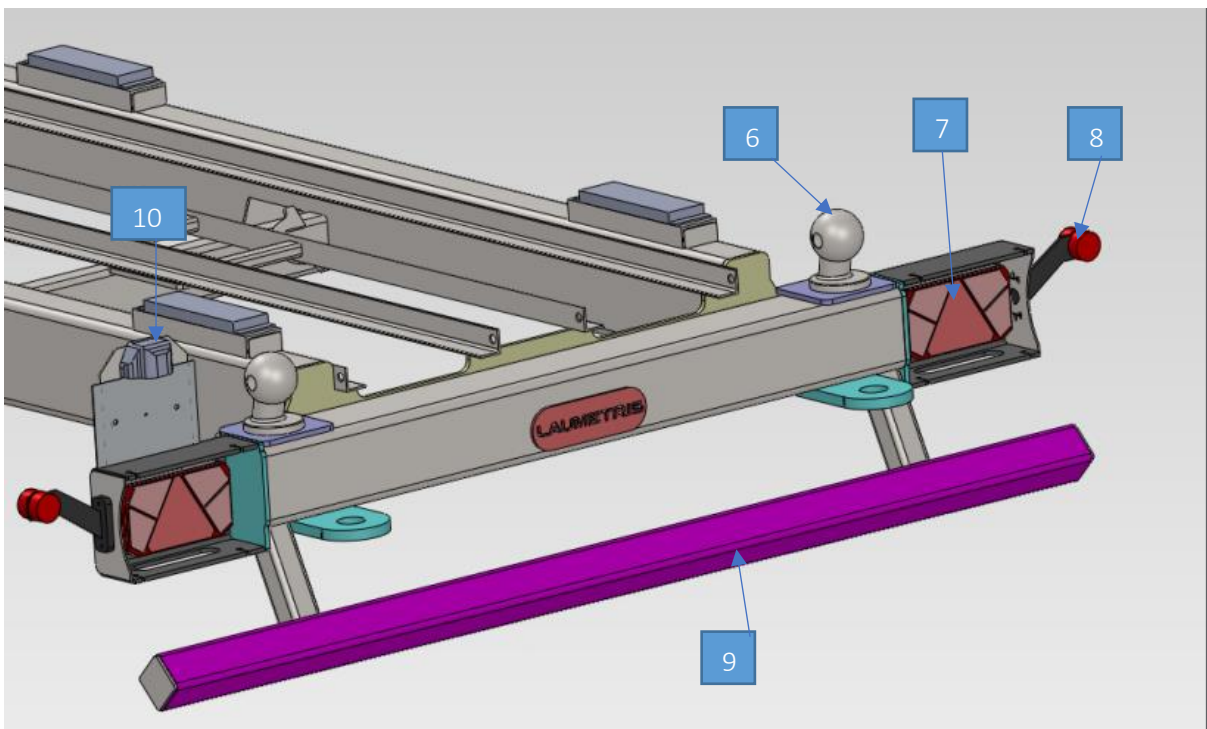
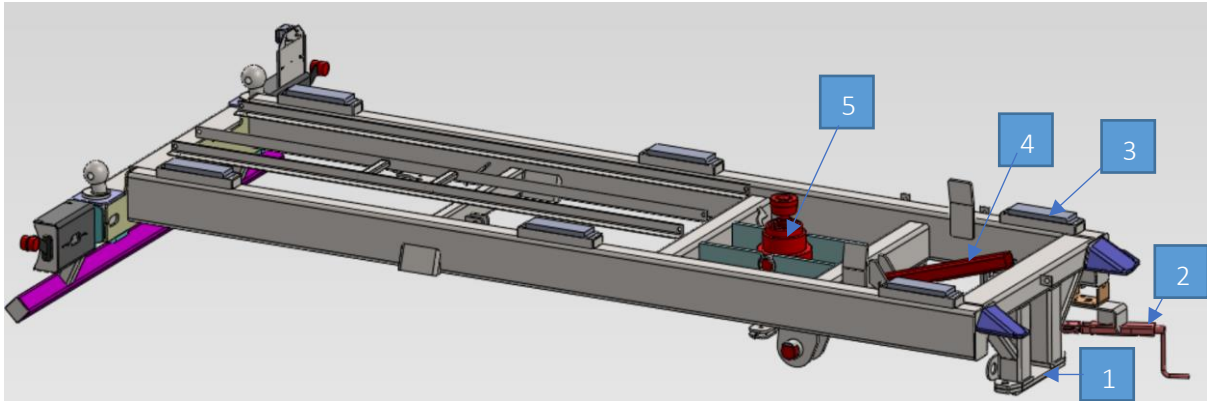
- 1. Drawbar..... 4
- 2. Frame 5
- 3. Body..... 6
- 4. Tailgate..... 7
- 5. Chassis..... 7
- 6. Axle..... 8
- 7. Suspension 9

1. Drawbar



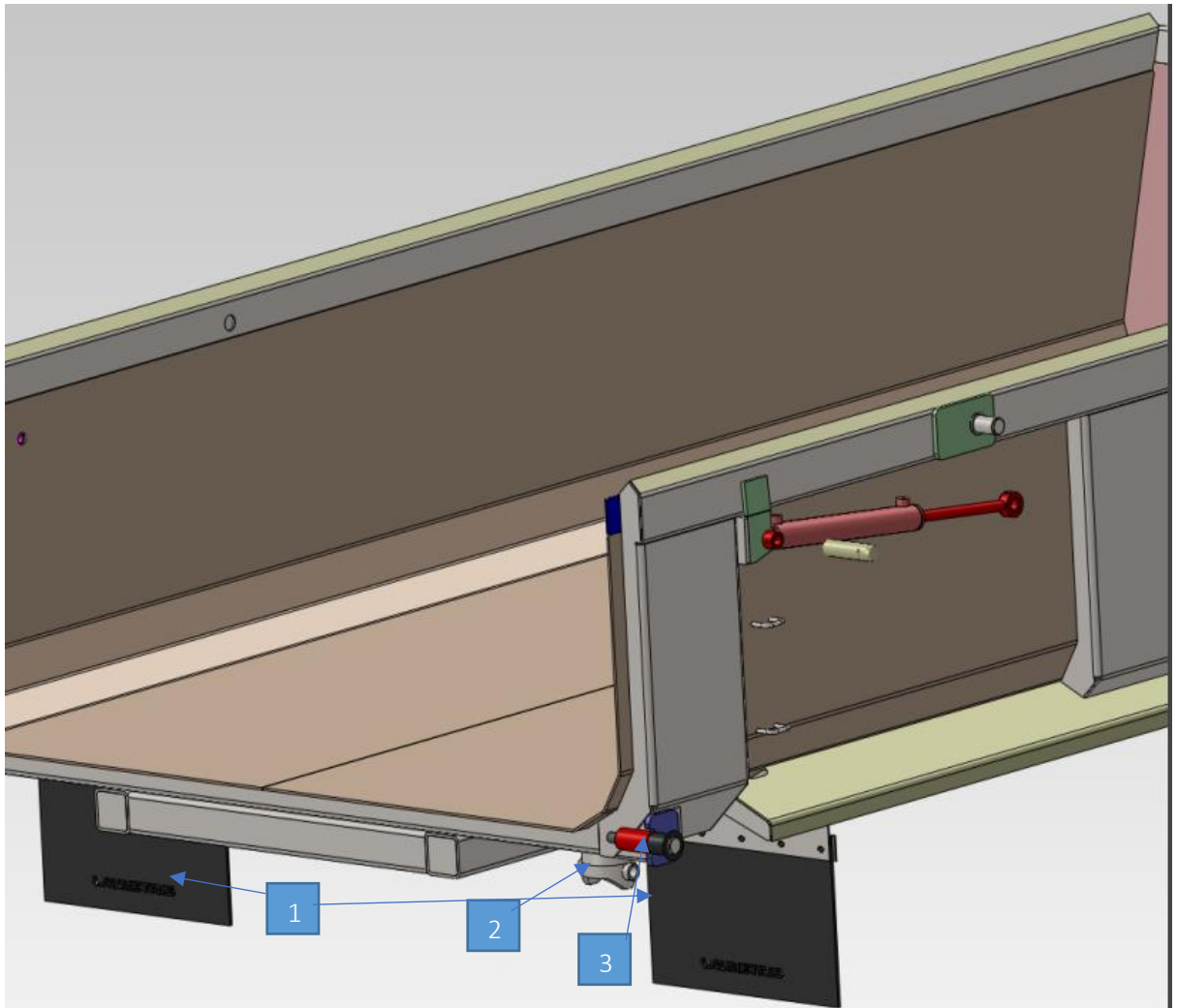
Pos	Name	Part number	Quantity
1	Welded Drawbar	p12 stat1 02.000 sb	1
2	Bolted Loop	super 38t v4.5	1
3	Bolts for loop	M20	4
4	Support foot mechanical	simol 204_69	1
5	Drawbar hydraulic hose holder	ptl d040	1
6	Drawbar spring	ADR 4171008nat	1
7	Drawbar spring plate	ptl r020a	1
8	Drawbar spring hoop	ptl sr004b	2
9	Drawbar connection with chassis pin	p20 stat2b 01.010	2
10	Drawbar connection with chassis pin nut	M32X2	2

2. Frame



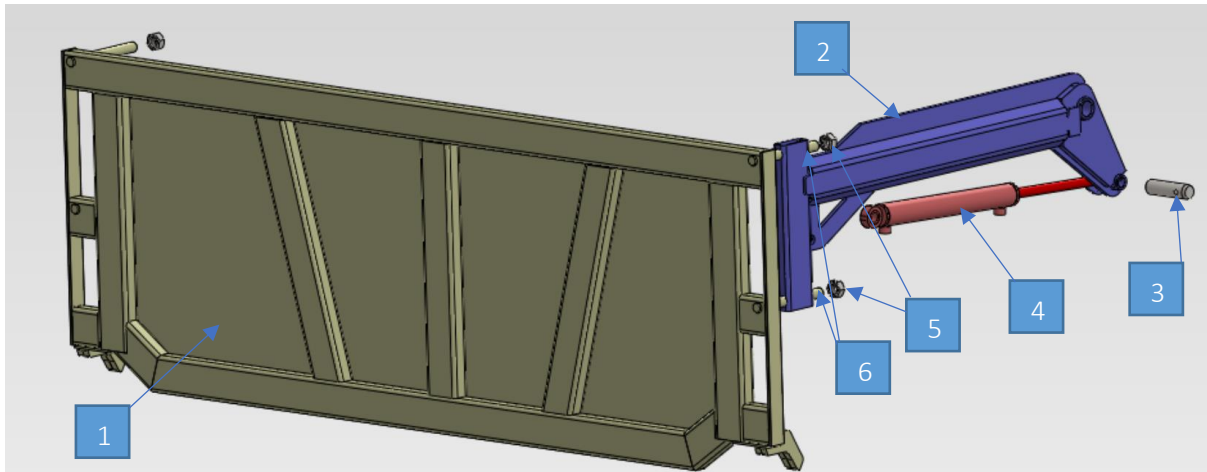
Pos	Name	Part number	Quantity
1	Drawbar holding plate	ptl r006c	1
2	Hand brake	Rs	1
3	Rubber support	Atrama 23742	6
4	Safety support	Atrama	1
5	Tipping hydraulic cilinder	HC 7009 S	1
6	Sphere	ob95 pa	2
7	Brake lamps	W124DNP	2
8	Side lamps	W148.1	2
9	Safety bar	Z 75x75x6	1
10	Number plate lights	W52	1

3. Body



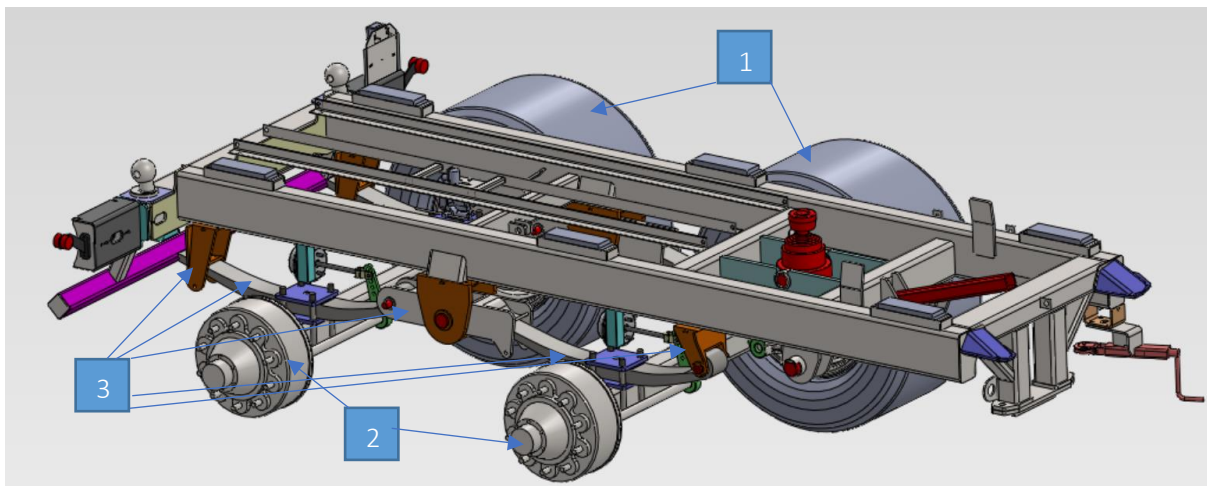
Pos	Name	Part number	Quantity
1	Mudguard	Md100	2
2	Sphere cap	ob95 kep	2
3	Bushing for clamping	p10 stat3 04.027	2

4. Tailgate



Pos	Name	Part number	Quantity
1	1.Welded tailgate	p12 stat1 05.000 sb	1
2	2.Welded tailgate-body connector	p10 stat4 06.000 sb	2
3	3. Hydraulic cilinder pin	Pin001	2
4	4.Hydraulic cilinder	hc 50x320-555	2
5	5.Adjustment bolt nut	M27	4
6	6.Adjustment bolt	ptl g009	4

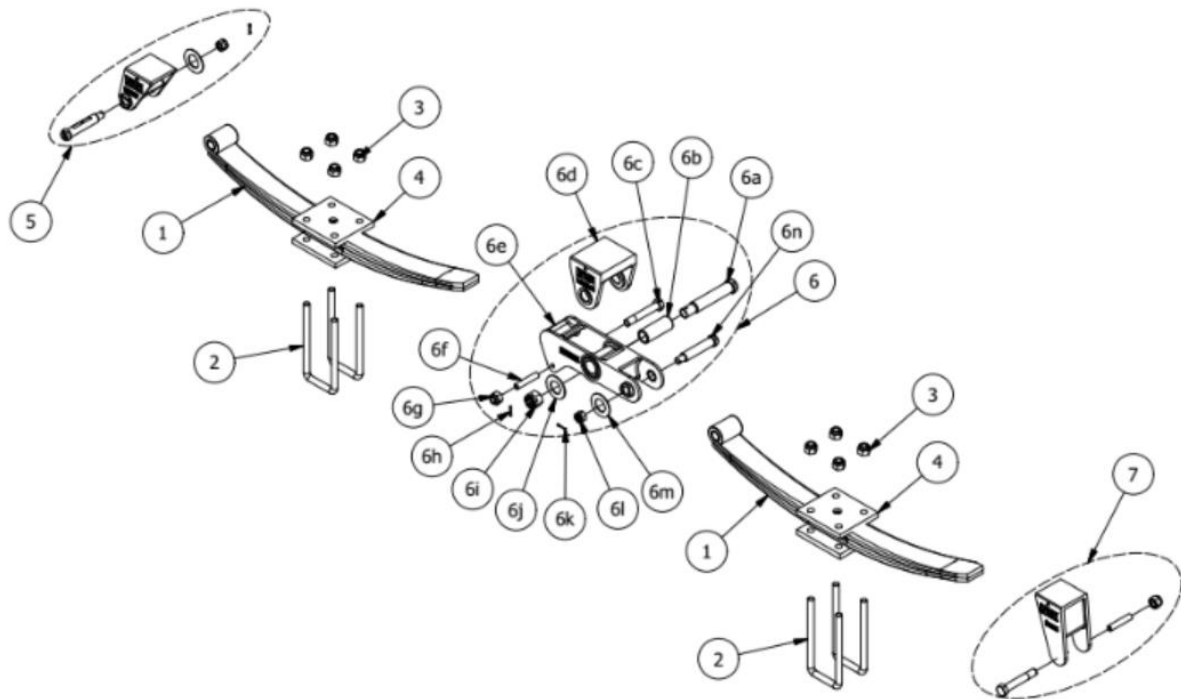
5. Chassis



Pos	Name	Part number	Quantity
1	Wheels	550_45-22.5_10-00sb	4
2	Axles	asis 120_1.95_10 sb	2
3	Spring leaf suspension	FAD Z92BV21E015	1

61	CAM SHAFT D40 B0500 S LEFT SAE 1,5" Z=10 406I 406P	7554063004	1
----	----------------------------------------------------	------------	---

7. Suspension



Pos	Name	Part number	Quantity
1	Balestra parabolica - Parabolic spring - Parabel-Blattfeder - Ressort parabolique	571AE002	4
2	Cavallotto - U-bolt - Federbügel - Bride 18X110X205	572FE003	8
3	Dado bloccaggio - Locking nut - Sicherungsmutter - Ecrou de blocage	340F046	16
4	Piastra - Plate - Platte - Plaque	563FE003	8
5	Supporto ant - Front Support - Vorderer Halterung - Support avant	570AE001D/S	1+1
6a	Perno bilanciante - Compensator pin - Bolzen - Pivot culbuteur	544FE002	2
6b	Boccola supp. oscillante - Swinging support bush - Buchse für Schwinghalterung - Bague Support oscillant	549FE001	2
6c	Vite - Screw - Schraube - Vis M12X120	535FE001	2
6d	Supporto centrale - Central Support - Mittel Halterung - Support central	570FE003	2
6e	Bilanciante - Compensator - Ausgleich - Culbuteur	570FE004D/S	1+1
6f	Tubo - Tube - Tube - Hülse	533FE001	2
6g	Dado bloccaggio perno - Pin locking nut - Sicherungsmutter - Ecrou de blocage pivot	540FE001	2
6h	Copiglia - Split pin - Splinte - Goupille	510FE003	2

6i	Dado intagli - Crown nut - Ecrou coronne - Kronenmutter M27X3	528FE002	2
6j	Rondella - Washer - Scheibe - Rondelle	529FE002	2
6k	Copiglia - Split pin - Splinte - Goupille	510FE002	2
6l	Dado intagli - Crown nut - Ecrou coronne - Kronenmutter M18X2.5	528FE001	2
6m	Rondella - Washer - Scheibe - Rondelle	529FE001	2
6n	Perno bilanciatare - Compensator pin - Bolzen - Pivot culbuteur	544FE001	2
7	Supporto posteriore - Rear Support - Hinterhalterung - Soutien derrière	570AE003D/S	1+1



LAUMETRIS
SINCE 1993

WWW.LAUMETRIS.LT

info@laumetris.lt

+370 347 42390

Technikos street 5, Keleriskiai village,

Kedainiai district, 57342

LITHUANIA